

Before you begin — This unit is supplied with ceramic fiber logs. Do not handle these logs with your bare hands. **Always wear gloves to prevent skin irritation from ceramic fibers.** After handling the logs, wash your hands gently with soap and water to remove any traces of fibers.

PLACE CSDV20 LOGS IN FIREBOX

Figure 36

1. Carefully remove logs from wrapping.
2. Open front door of firebox.
3. Place rear log (#1) on rear log pin.
4. Place left base log (#2) on the two pins against left side of firebox.
5. Place right base log (#3) on the two pins against right side of firebox.

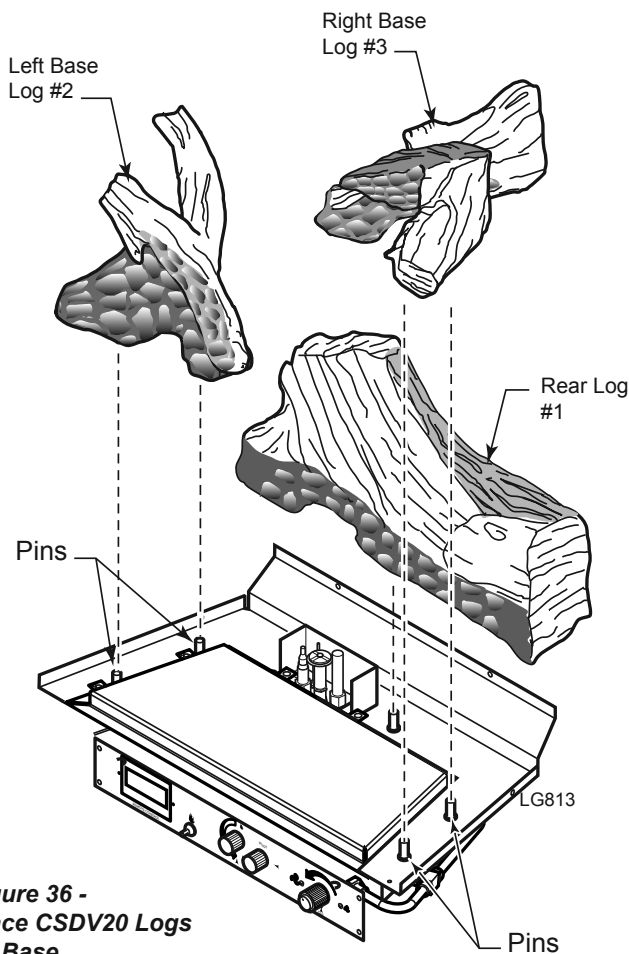


Figure 36 -
Place CSDV20 Logs
on Base

WARNING

The positioning of the logs is critical to the safe and clean operation of this heater. Sooting and other problems may result if the logs are not properly and firmly positioned in the appliance. Never add additional logs or embellishments such as pine cones or vermiculite to the heater. Only use the logs supplied with the unit.

Failure to position the parts in accordance with diagrams below or to use only parts specifically approved for this heater may result in property damage or personal injury.

PLACE ROCK WOOL (EMBER MATERIAL) IN FIREBOX

Break up rock wool (ember material) into dime-sized pieces. Fluff up rock wool. Place rock wool evenly across burner surface. Do not block any areas around the perimeter of the burner, as these are the areas that supply the needed air for secondary combustion. **Do not place rock wool under logs.** Figure 37

NOTE: Do not exceed one (1) layer of rock wool coverage. Place a small amount of rock wool on the rear side of the burner only between tabs. The tabs are designed to indicate the area where rock wool location. Do not place rock wool outside the tabs in the back.

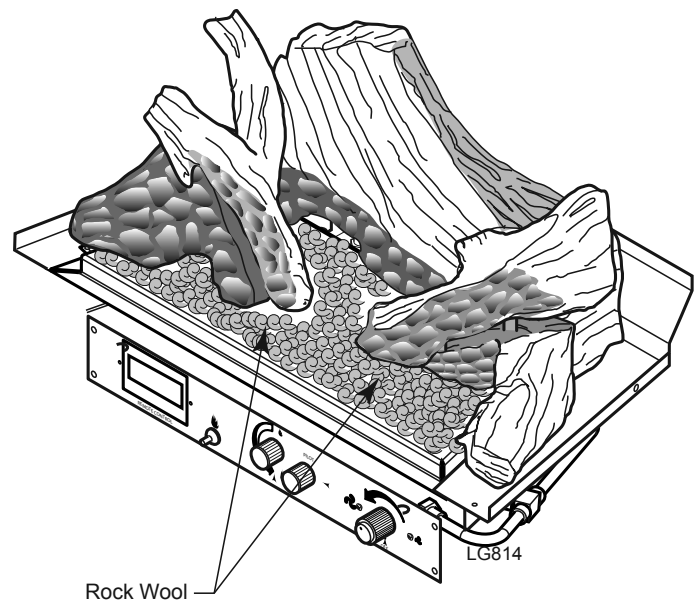


Figure 37 -
CSDV20 Rock Wool Placement

PLACE CSDV30 LOGS IN FIREBOX

Figure 38

1. Carefully remove logs from wrapping.
2. Open front door of firebox.
3. Place rear log (#1) on rear log pin.
4. Place left base log (#2) on the two pins against left side of firebox.
5. Place right base log (#3) on the two pins against right side of firebox.
6. Place top left log (#4) on left base log. Line up the notch in the bottom of the top log with the locator pins on the bottom log.
7. Place top right log (#5) on right base log. Line up the notch in the bottom of the top log with the locator pins on the bottom log.

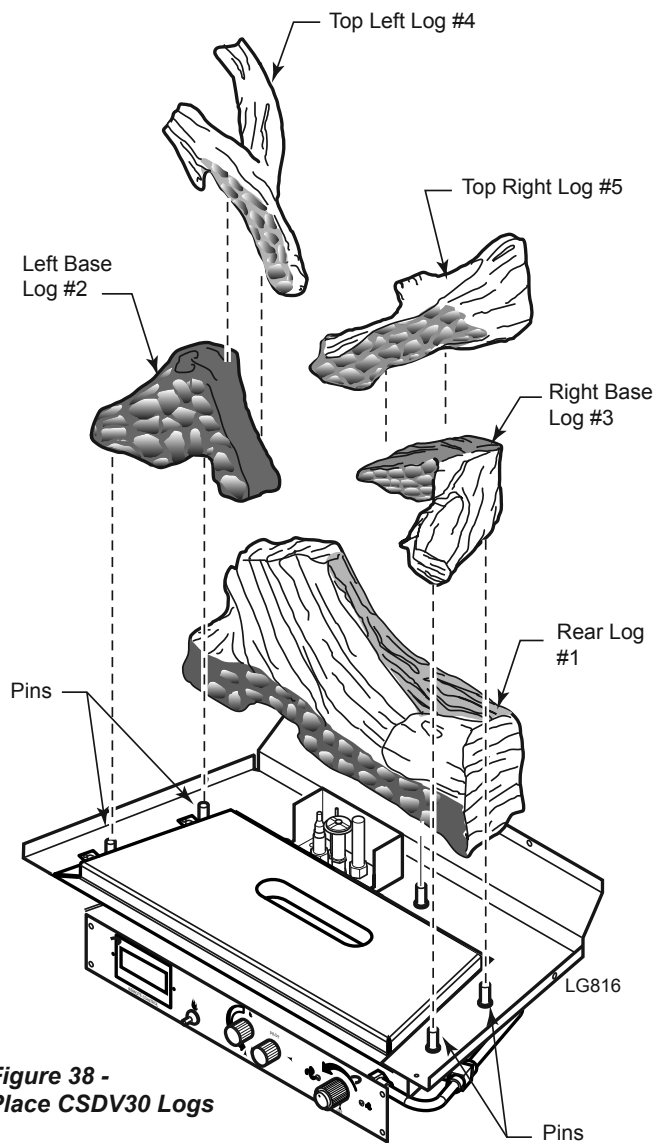


Figure 38 - Place CSDV30 Logs

PLACE LOGS AND ROCK WOOL (EMBER MATERIAL) IN FIREBOX

Break up rock wool (ember material) into dime-sized pieces. Fluff up rock wool. Place rock wool evenly across the front of the burner surface. Do not block any areas around the perimeter of the burner, as these are the areas that supply the needed air for secondary combustion. Do not cover the screen on the rear half of the burner as this area allows for air to enter under the front logs. *Do not place rock wool under logs. Figure 39*

NOTE: Do not exceed one (1) layer of rock wool coverage. Do not place rock wool on rear of burner.

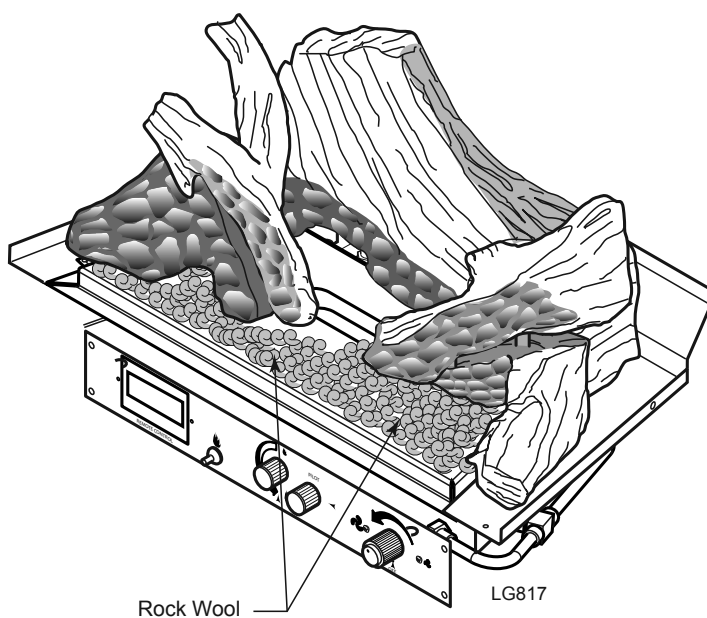


Figure 39 - Place CSDV30 Rock Wool

PLACE CSDV40 LOGS IN FIREBOX

Figure 40

1. Carefully remove logs from wrapping.
2. Open front door of firebox.
3. Place rear log (#1) on rear log pins.
4. Place left base log (#2) on the two pins against left side of firebox.
5. Place right base log (#3) on the two pins against right side of firebox.
6. Place top left log (#4) on left base log. Line up the notch in the bottom of the top log with the locator pins on the bottom log.
7. Place top right log (#5) on right base log. Line up the notch in the bottom of the top log with the locator pins on the bottom log.
8. Rest one end top mid log (#6) on left base log and the other on front burner.

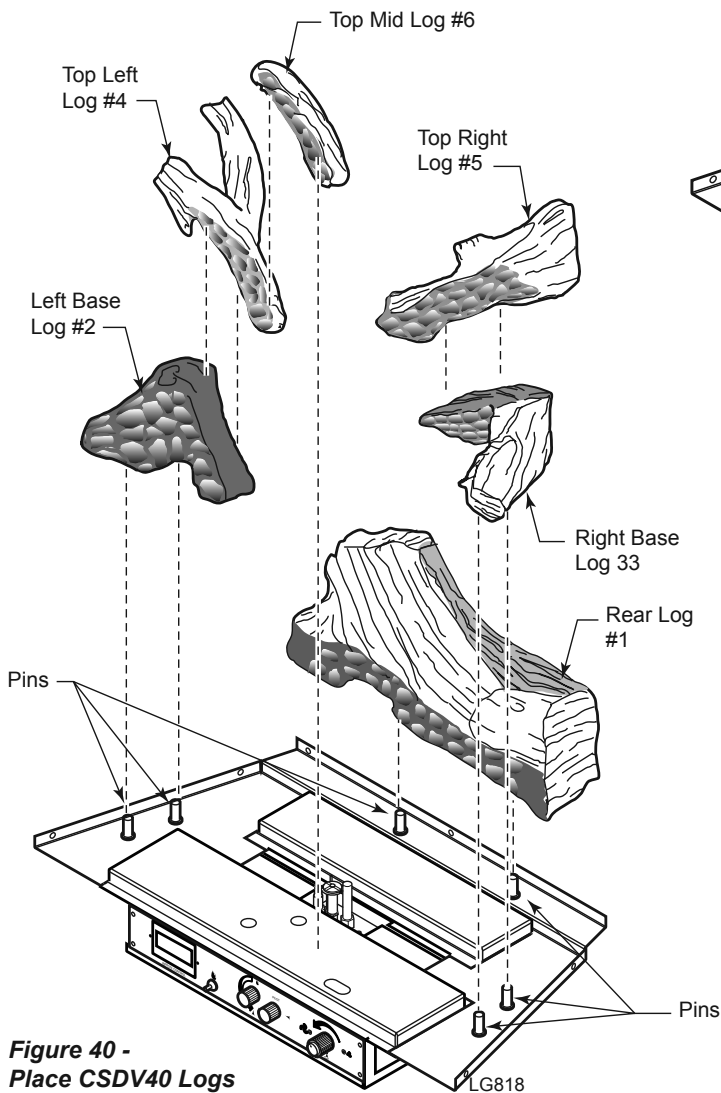


Figure 40 - Place CSDV40 Logs

PLACE ROCK WOOL (EMBER MATERIAL) IN FIREBOX

Break up rock wool (ember material) into dime-sized pieces. Fluff up rock wool. Place rock wool evenly across both burner surfaces. Do not block any areas around the perimeter of the burner, as these are the areas that supply the needed air for secondary combustion. Figure 41

NOTE: Do not exceed one (1) layer of rock wool coverage.

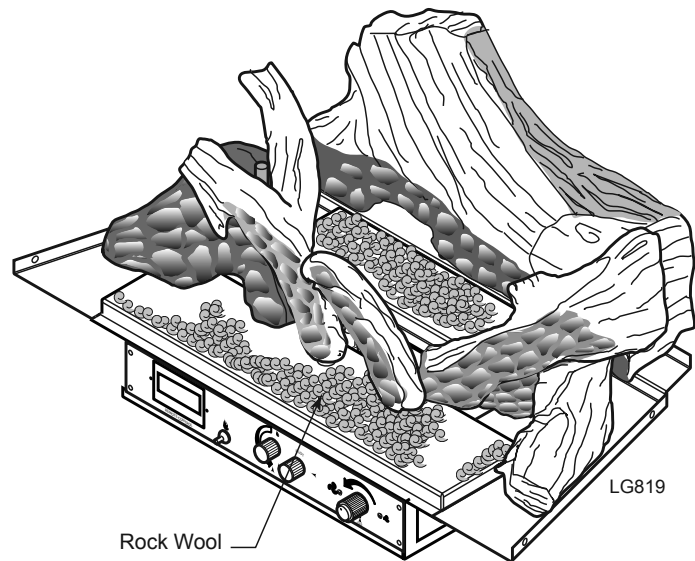


Figure 41 - Place CSDV40 Rock Wool